

# A Brief Look at Teen Entrepreneurs

Dennis Cheek, Ph.D., October 2014





# National Creativity Network

A US-registered international nonprofit (established 2010) that seeks to advance the skillful application of imagination, creativity, and innovation to positively improve commerce, culture, education and government across North America.



Creative Business Cup

# Across North America

- Canada
- Mexico
- United States of America
- Global Partners



AMERICA'S CREATIVE ECONOMY



National Creativity Network

# Imagination-Creativity- Innovation

- Culture
- Commerce
- Education
- Government



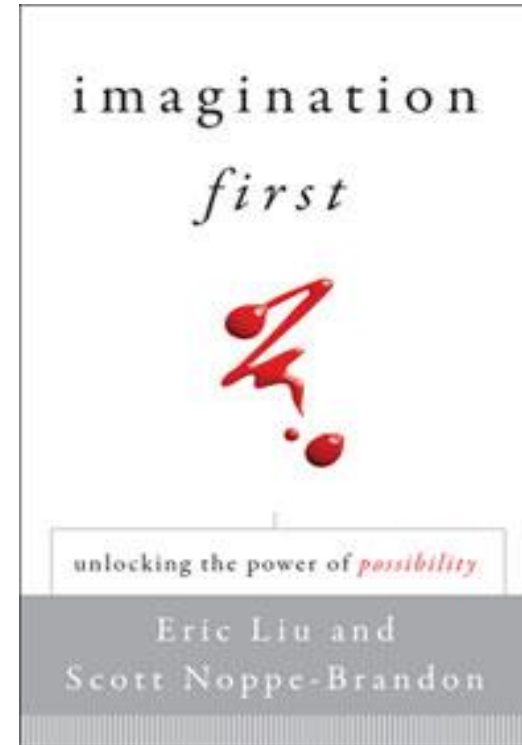
# Unique Ecosystems





# What Do We Mean?

- Imagination: the capacity to conceive of what is not yet present or manifest
- Creativity: imagination applied to do or make something that flows from the prior capacity to conceive of the new
- Innovation: further actions that advance the form, depth, reach, and richness of that which has been brought into being (“Innovation is creativity with a job to do.” John Emmerling, “Innovation Unleashed” presentation)



The I-C-I Framework







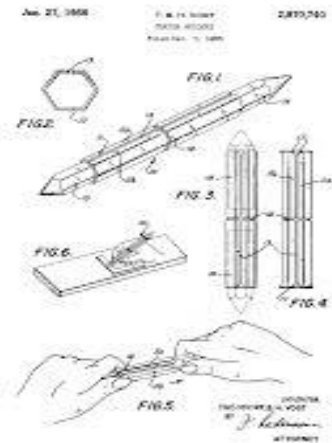








# 11 year-old Cassidy Goldstein Youth Inventor of the Year, 2006



# 13-year old Isabella Rose Taylor Austin, TX



# 15-year old Suman Mulumudi Seattle, WA





# Gevva

## Horace Mann School - NYC

Sahil Gupta, Cavan Klinsky, Stan Zhang



- 17-year old students at private school in NYC
- Unified search results based on your daily routines (aggregates)
- Won \$500 prize at HS hackathon. Used money to exhibit at large TechDay startup event in NYC
- Found backers and multiplied help & funds+++

# 17-year old Eric Chen San Diego, CA



# Melanie Perkins - Canva



25 year-old graphic designer from Perth, Australia who is head of 22-person start-up that makes online graphic design simple and user-friendly



# Steve Chen

1996 graduate, Illinois Math and  
Science Academy (HS)



AVOS

# Elizabeth Holmes - Theranos



Stanford U at age 19 had fundamental insight to submit a patent application for a wearable patch that would monitor person to see if drug was having desired effect(s).

Dropped out of Stanford as sophomore with parents' consent

Company valued at \$9B (2014), raised \$400m from equity sales to investors

# Zachary Weisenthal – 13 yrs



# Nick D'Aloisio - UK



- Created Summly as 15 yr. old, summarizes webpages for iPhone.
- \$250K from investors and backing from Li Ka-Shing; sold to Yahoo in 2013 for c. \$30M and placed in charge of Yahoo News Digest
- Entered Oxford Univ.

# Adam Horwitz, Tim Donovan

- Adam had 30 unsuccessful startups while in high school
- Age 18 founded Mobile Monopoly
- Co-founded Yep Text ([www.yeptext.com](http://www.yeptext.com))
- Worth multiple millions each as co-founders





# Adora Svitak



- Wrote two books
- Spoke at TED conference
- Lectured to large audiences in US and UK
- Created her own literary magazine
- All while just 12 years old!

# Daniel Gross & Robbie Walker



- Greplin, a website and smartphone app
- Searches your personal information, draws it together, manages it.
- Changed named to Cue in 2014 and sold to Apple for \$40 million.

# Jason Li - 15

- Won Next Teen Tycoon online video competition as 15 yr old
- iReTron, his company, buys, refurbishes, and resells electronics
- Saratoga High School, San Jose, CA



# Juliet Brindak – 10 yr old



- To entertain her 8 yr. old sister Olivia, she began sketching characters.
- Launched an online social community for girls ages 8-14.
- Proctor & Gamble invested; at age 19 her personal worth is \$15M.

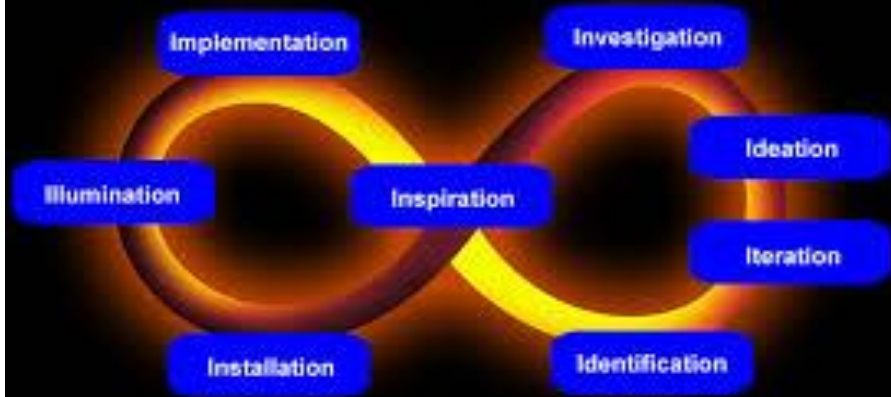
# Christofer Toumazou Imperial College, London

European Inventor of the Year Award, 2014  
Fellow of the Royal Society and Royal  
Academy of Engineering (exceedingly rare  
achievement)





## Eight I's of Infinite Innovation



by Braden Kelley



# Four Arenas for Biz Innovation

## Start-ups

-1 to 10  
employees  
-Negative  
cash flow

## Small Businesses


-10 to 75 employees  
-Positive but fragile  
cash flow

## Medium Businesses

-75 to 300 employees  
-Positive and stable cash  
flow

## Large Businesses

-More than 300 employees  
-Positive and growing cash  
flow



**I INVENTED  
NOTHING NEW.  
I SIMPLY ASSEMBLED THE  
DISCOVERIES OF OTHER  
MEN BEHIND WHOM WERE  
CENTURIES OF WORK...  
PROGRESS HAPPENS WHEN  
ALL THE FACTORS THAT  
MAKE FOR IT ARE READY  
AND THEN IT IS INEVITABLE.**

**HENRY FORD**



The greatest invention of the nineteenth century  
was the invention of the method of invention.

(Alfred North Whitehead)





# Playmoolah – Financial literacy for children (Singapore/Silicon Valley)



**Min Lee**



**Audrey Tan**

# Universitas Ciputra, Surabaya, Indonesia



- Indonesian entrepreneur, Ir. Ciputra
- 146 graduates (2010, 1<sup>st</sup> class)
- Launched 103 businesses
- 3,300+ students in 2013-2014
- Promotes entrepreneurship nationwide





# Thank You!

[www.nationalcreativitynetwork.org](http://www.nationalcreativitynetwork.org)

Sign up for our free weekly news blast and quarterly webinars!

Dennis Cheek, Executive Director  
Dennis@nationalcreativitynetwork.com